



GE3

3-WAY HIGH PRESSURE BALL VALVES

Edition. 21.1

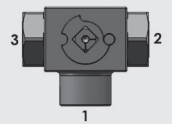
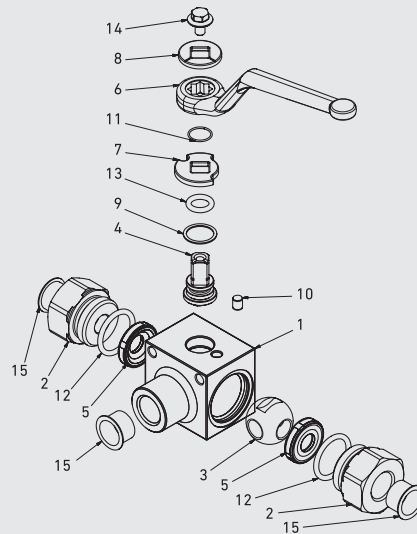
CS Carbon Steel

- Type: ball valve 3 way
- Sizes: from DN6 up to DN25
- Ends: BSP-NPT-SAE-DIN
- Pressure: up to PN500
- Temp range: from -20°C to +100°C

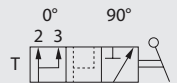
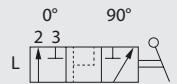
SS Stainless Steel

- Type: ball valve 3 way
- Sizes: from DN6 up to DN25
- Ends: BSP-NPT-SAE-DIN
- Pressure: up to PN500
- Temp range: from -30°C to +100°C

STANDARD COMPOSITION OF VALVE



WARNING!
Pressure inlet only from center port 1



| POS | DESCRIPTION | Q.TY | CS | SS |
|-----|----------------|------|--------------|-----------------|
| | | | Carbon Steel | Stainless Steel |
| | | | MATERIAL | |
| 1 | Body | 1 | 1,0737 | 1,4404 |
| 2 | Adapter | 2 | 1,0737 | 1,4404 |
| 3 | Ball | 1 | 1,0737 | 1,4404 |
| 4 | Stem | 1 | 1,0737 | 1,4404 |
| 5 | Ball seat | 2 | POM | POM |
| 6 | Handle | 1 | ZINC | ZINC |
| 7 | Washer | 1 | 1,0116 | 1,4301 |
| 8 | Washer | 1 | 1,0116 | 1,4301 |
| 9 | Stem ring | 1 | POM | POM |
| 10 | Pin | 1 | 1,0737 | 1,4301 |
| 11 | Seeger | 1 | 1,4301 | 1,4301 |
| 12 | Adapter o-ring | 2 | NBR | NBR |
| 13 | Stem o-ring | 1 | NBR | NBR |
| 14 | Screw | 1 | Din 6921 8.8 | Din 6921 A2 |
| 15 | Caps | 3 | PVC | PVC |



CODE DESCRIPTION STRUCTURE

| | | | | | | | | |
|-----|-------|------|---|---|---|---|---|---|
| GE3 | G 1/2 | DN13 | 1 | 1 | 1 | 1 | A | B |
|-----|-------|------|---|---|---|---|---|---|

Type and way of valve

GE3 3-way

Ends

| GAS DIN/ ISO 228 BSP | NPT ANSI /ASME B1.20.1 | SAE J1926-1 | DIN 2353 HEAVY SERIES | DIN 2353 LIGHT SERIES |
|----------------------------|------------------------------|----------------|-----------------------------|-----------------------------|
| G 1/4 | N 1/4 | SAE4 | 8S | 6L |
| G 3/8 | N 3/8 | SAE6 | 10S | 8L |
| G 1/2 | N 1/2 | SAE8 | 12S | 10L |
| G 3/4 | N 3/4 | SAE12 | 14S | 12L |
| G 1 | N 1 | SAE16 | 16S | 15L |
| G 1 1/4 R | N 1 1/4 R | SAE20R | 20S | 18L |
| G 1 1/2 R | N 1 1/2 R | SAE24R | 25S | 22L |
| | | | 30S | 28L |
| | | | 38S | 35L |

Size

from DN6 to DN25

Body Material

- 1 = 1,0737
- 4 = 1,4404

Adapter material

- 1 = 1,0737
- 4 = 1,4404

Stem material

- 1 = 1,0737 4 = 1,4404*
- 4 = 1,4404

Ball Material

- 1 = 1,0737 4 = 1,4404*
- 4 = 1,4404

Seat material

A = POM D = PEEK* G = PA612* K = GEMPTFE* C = PTFE*

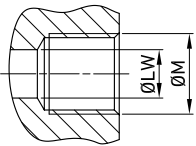
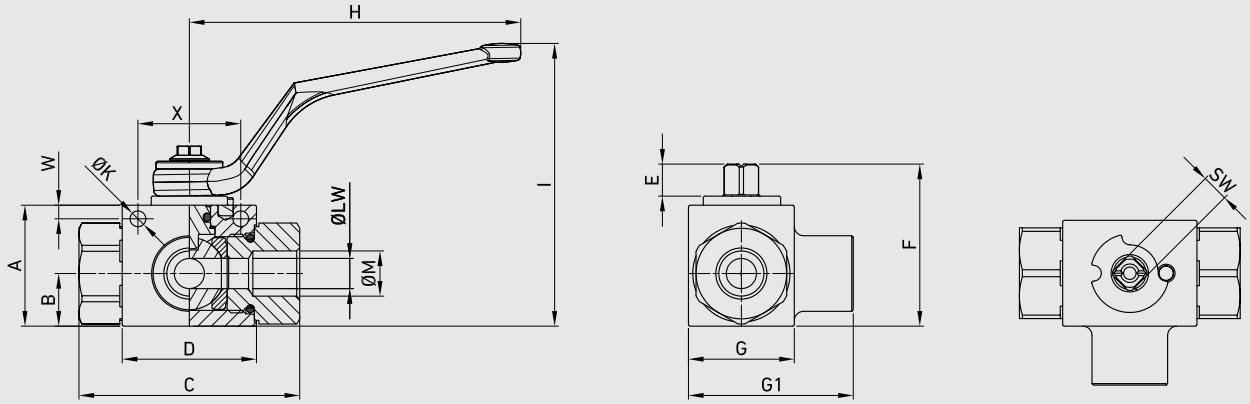
Seal material

B = NBR E = FKM* F = EPDM* L = MVQ*

*On request

- Reduced bore
- Special threads
- Pressure class up to PN40 MPa
- Pneumatic and electrical actuator
- Security block
- Locking device
- Fixing holes for SS valves

For further special requests please consult our technical/commercial service.

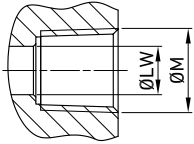


GE3 DIN/ISO 228 BSP

| TYPE | DN | PN | | | | | | | | | | | | CS Carbon Steel SS Stainless Steel | | | | | | | |
|---------------|----|----------|-----------|------|------|------|------|-------|------|------|------|------|---------|---|------|------|------|------|----------|-----------------|-----------------|
| | | | A | B | C | D | E | F | G | G1 | H | I | ØM | ØK* | W* | X* | SW | ØLW | WEIGHT | ITEM CODE | |
| GE3 G 1/4 | 6 | MPa 50 | mm 35 | 14,5 | 71 | 42,4 | 11 | 49 | 30 | 48,5 | 110 | 87 | G 1/4 | 5,25 | 4,5 | 34 | 9 | 6 | kg 0,536 | GE3GGT14011A000 | GE3GGT14044A000 |
| | | Psi 7250 | inch 1,38 | 0,57 | 2,80 | 1,67 | 0,43 | 1,93 | 1,18 | 1,91 | 4,33 | 3,43 | | 0,21 | 0,18 | 1,34 | 0,35 | 0,24 | lb 1,18 | | |
| GE3 G 3/8 | 10 | MPa 50 | mm 40 | 17,4 | 73 | 44,4 | 11 | 54,25 | 35 | 54,5 | 110 | 93 | G 3/8 | 5,25 | 4,5 | 34 | 9 | 10 | kg 0,695 | GE3GGT24011A000 | GE3GGT24044A000 |
| | | Psi 7250 | inch 1,57 | 0,69 | 2,87 | 1,75 | 0,43 | 2,14 | 1,38 | 2,15 | 4,33 | 3,66 | | 0,21 | 0,18 | 1,34 | 0,35 | 0,39 | lb 1,53 | | |
| GE3 G 1/2 | 13 | MPa 50 | mm 43 | 19,7 | 83 | 48,4 | 11 | 57 | 37 | 58,5 | 110 | 97 | G 1/2 | 5,25 | 5 | 36 | 9 | 13 | kg 0,825 | GE3GGT33011A000 | GE3GGT33044A000 |
| | | Psi 7250 | inch 1,69 | 0,78 | 3,27 | 1,91 | 0,43 | 2,24 | 1,46 | 2,30 | 4,33 | 3,82 | | 0,21 | 0,20 | 1,42 | 0,35 | 0,51 | lb 1,82 | | |
| GE3 G 3/4 | 20 | MPa 42 | mm 57 | 25,4 | 95 | 62,5 | 14 | 75,5 | 49 | 75 | 180 | 105 | G 3/4 | 6,25 | 6 | 50 | 14 | 20 | kg 1,583 | GE3GGT44011A000 | GE3GGT43044A000 |
| | | Psi 6090 | inch 2,24 | 1,00 | 3,74 | 2,46 | 0,55 | 2,97 | 1,93 | 2,95 | 7,09 | 4,13 | | 0,25 | 0,24 | 1,97 | 0,55 | 0,79 | lb 3,49 | | |
| GE3 G 1 | 25 | MPa 42 | mm 65 | 29,5 | 112 | 66,5 | 14 | 83,5 | 55 | 89 | 180 | 113 | G 1 | 6,25 | 6 | 50 | 14 | 25 | kg 2,421 | GE3GGT53011A000 | GE3GGT53044A000 |
| | | Psi 6090 | inch 2,56 | 1,16 | 4,41 | 2,62 | 0,55 | 3,29 | 2,17 | 3,50 | 7,09 | 4,45 | | 0,25 | 0,24 | 1,97 | 0,55 | 0,98 | lb 5,34 | | |
| GE3 G 1 1/4 R | 25 | MPa 35 | mm 65 | 29,5 | 120 | 66,5 | 14 | 83,5 | 55 | 89 | 180 | 113 | G 1 1/4 | 6,25 | 6 | 50 | 14 | 25 | kg 2,601 | GE3GGR63011A000 | GE3GGR63044A000 |
| | | Psi 5075 | inch 2,56 | 1,16 | 4,72 | 2,62 | 0,55 | 3,29 | 2,17 | 3,50 | 7,09 | 4,45 | | 0,25 | 0,24 | 1,97 | 0,55 | 0,98 | lb 5,73 | | |
| GE3 G 1 1/2 R | 25 | MPa 35 | mm 65 | 29,5 | 124 | 66,5 | 14 | 83,5 | 55 | 89 | 180 | 113 | G 1 1/2 | 6,25 | 6 | 50 | 14 | 25 | kg 2,756 | GE3GGR73011A000 | GE3GGR73044A000 |
| | | Psi 5075 | inch 2,56 | 1,16 | 4,88 | 2,62 | 0,55 | 3,29 | 2,17 | 3,50 | 7,09 | 4,45 | | 0,25 | 0,24 | 1,97 | 0,55 | 0,98 | lb 6,08 | | |

Size only for carbon steel valves with fixing holes included.

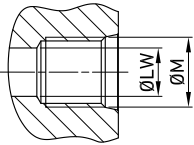
FIXING HOLES INCLUDED


GE3 ANSI/ASME B1.20.1 NPT

| | | | | | | | | | | | | | | | | | | | | CS | SS | | | |
|---------------|----|-----|------|------|------|------|------|------|------|-------|------|------|------|------|-------|------|------|------|------|--------------|-----------------|-------|-----------------|-----------------|
| | | | | | | | | | | | | | | | | | | | | Carbon Steel | Stainless Steel | | | |
| TYPE | DN | PN | | A | B | C | D | E | F | G | G1 | H | I | ØM | ØK* | W* | X* | SW | ØLW | WEIGHT | ITEM CODE | | | |
| GE3 N 1/4 | 6 | MPa | 50 | mm | 35 | 14,5 | 71 | 42,4 | 11 | 49 | 30 | 48,5 | 110 | 87 | N 1/4 | 5,25 | 4,5 | 34 | 9 | 6 | kg | 0,536 | GE3NNT14011A000 | GE3NNT14044A000 |
| | | Psi | 7250 | inch | 1,38 | 0,57 | 2,80 | 1,67 | 0,43 | 1,93 | 1,18 | 1,91 | 4,33 | 3,43 | | 0,21 | 0,18 | 1,34 | 0,35 | 0,24 | lb | 1,18 | | |
| GE3 N 3/8 | 10 | MPa | 50 | mm | 40 | 17,4 | 73 | 44,4 | 11 | 54,25 | 35 | 54,5 | 110 | 93 | N 3/8 | 5,25 | 4,5 | 34 | 9 | 10 | kg | 0,695 | GE3NNT24011A000 | GE3NNT24044A000 |
| | | Psi | 7250 | inch | 1,57 | 0,69 | 2,87 | 1,75 | 0,43 | 2,14 | 1,38 | 2,15 | 4,33 | 3,66 | | 0,21 | 0,18 | 1,34 | 0,35 | 0,39 | lb | 1,53 | | |
| GE3 N 1/2 | 13 | MPa | 50 | mm | 43 | 19,7 | 83 | 48,4 | 11 | 57 | 37 | 58,5 | 110 | 97 | N 1/2 | 5,25 | 5 | 36 | 9 | 13 | kg | 0,825 | GE3NNT33011A000 | GE3NNT33044A000 |
| | | Psi | 7250 | inch | 1,69 | 0,78 | 3,27 | 1,91 | 0,43 | 2,24 | 1,46 | 2,30 | 4,33 | 3,82 | | 0,21 | 0,20 | 1,42 | 0,35 | 0,51 | lb | 1,82 | | |
| GE3 N 3/4 | 20 | MPa | 42 | mm | 57 | 25,4 | 95 | 62,5 | 14 | 75,5 | 49 | 75 | 180 | 105 | N 3/4 | 6,25 | 6 | 50 | 14 | 20 | kg | 1,583 | GE3NNT44011A000 | GE3NNT43044A000 |
| | | Psi | 6090 | inch | 2,24 | 1,00 | 3,74 | 2,46 | 0,55 | 2,97 | 1,93 | 2,95 | 7,09 | 4,13 | | 0,25 | 0,24 | 1,97 | 0,55 | 0,79 | lb | 3,49 | | |
| GE3 N 1 | 25 | MPa | 42 | mm | 65 | 29,5 | 112 | 66,5 | 14 | 83,5 | 55 | 89 | 180 | 113 | N 1 | 6,25 | 6 | 50 | 14 | 25 | kg | 2,421 | GE3NNT53011A000 | GE3NNT53044A000 |
| | | Psi | 6090 | inch | 2,56 | 1,16 | 4,41 | 2,62 | 0,55 | 3,29 | 2,17 | 3,50 | 7,09 | 4,45 | | 0,25 | 0,24 | 1,97 | 0,55 | 0,98 | lb | 5,34 | | |
| GE3 N 1 1/4 R | 25 | MPa | 35 | mm | 65 | 29,5 | 120 | 66,5 | 14 | 83,5 | 55 | 89 | 180 | 113 | N 1 | 6,25 | 6 | 50 | 14 | 25 | kg | 2,601 | GE3NNR63011A000 | GE3NNR63044A000 |
| | | Psi | 5075 | inch | 2,56 | 1,16 | 4,72 | 2,62 | 0,55 | 3,29 | 2,17 | 3,50 | 7,09 | 4,45 | | 1/4 | 0,25 | 0,24 | 1,97 | 0,55 | 0,98 | lb | | |
| GE3 N 1 1/2 R | 25 | MPa | 35 | mm | 65 | 29,5 | 124 | 66,5 | 14 | 83,5 | 55 | 89 | 180 | 113 | N 1 | 6,25 | 6 | 50 | 14 | 25 | kg | 2,756 | GE3NNR73011A000 | GE3NNR73044A000 |
| | | Psi | 5075 | inch | 2,56 | 1,16 | 4,88 | 2,62 | 0,55 | 3,29 | 2,17 | 3,50 | 7,09 | 4,45 | | 1/2 | 0,25 | 0,24 | 1,97 | 0,55 | 0,98 | lb | | |

Size only for carbon steel valves with fixing holes included.

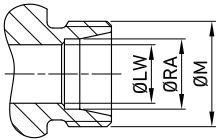
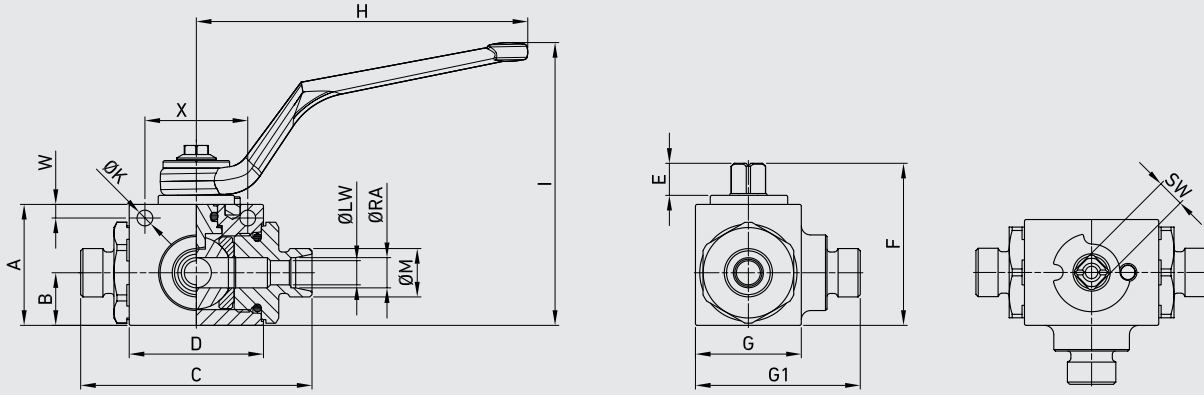
FIXING HOLES INCLUDED


GE3 SAE J1926-1

| | | | | | | | | | | | | | | | | | | | | CS | SS | | | |
|------------|----|-----|------|------|------|------|------|------|------|-------|------|------|------|------|--------|------|------|------|------|--------------|-----------------|-------|-----------------|-----------------|
| | | | | | | | | | | | | | | | | | | | | Carbon Steel | Stainless Steel | | | |
| TYPE | DN | PN | | A | B | C | D | E | F | G | G1 | H | I | ØM | ØK* | W* | X* | SW | ØLW | WEIGHT | ITEM CODE | | | |
| GE3 SAE4 | 6 | MPa | 50 | mm | 35 | 14,5 | 71 | 42,4 | 11 | 49 | 30 | 48,5 | 110 | 87 | 7/16 | 5,25 | 4,5 | 34 | 9 | 6 | kg | 0,512 | GE3EEE04011A000 | GE3EEE04044A000 |
| | | Psi | 7250 | inch | 1,38 | 0,57 | 2,80 | 1,67 | 0,43 | 1,93 | 1,18 | 1,91 | 4,33 | 3,43 | | UNF | 0,21 | 0,18 | 1,34 | 0,35 | 0,24 | lb | | |
| GE3 SAE6 | 10 | MPa | 50 | mm | 40 | 17,5 | 73 | 44,8 | 11 | 54,25 | 35 | 54,5 | 110 | 93 | 9/16 | 5,25 | 4,5 | 34 | 9 | 10 | kg | 0,695 | GE3EEE14011A000 | GE3EEE14044A000 |
| | | Psi | 7250 | inch | 1,57 | 0,69 | 2,87 | 1,76 | 0,43 | 2,14 | 1,38 | 2,15 | 4,33 | 3,66 | | UNF | 0,21 | 0,18 | 1,34 | 0,35 | 0,39 | lb | | |
| GE3 SAE8 | 13 | MPa | 50 | mm | 43 | 19,7 | 83 | 48,4 | 11 | 57 | 37 | 58,5 | 110 | 97 | 3/4 | 5,25 | 5 | 36 | 9 | 13 | kg | 0,825 | GE3EEE23011A000 | GE3EEE23044A000 |
| | | Psi | 7250 | inch | 1,69 | 0,78 | 3,27 | 1,91 | 0,43 | 2,24 | 1,46 | 2,30 | 4,33 | 3,82 | | UNF | 0,21 | 0,20 | 1,42 | 0,35 | 0,51 | lb | | |
| GE3 SAE12 | 20 | MPa | 42 | mm | 57 | 25,4 | 95 | 62,5 | 14 | 75,5 | 49 | 75 | 180 | 105 | 1 1/16 | 6,25 | 6 | 50 | 14 | 20 | kg | 1,583 | GE3EEE34011A000 | GE3EEE34044A000 |
| | | Psi | 6090 | inch | 2,24 | 1,00 | 3,74 | 2,46 | 0,55 | 2,97 | 1,93 | 2,95 | 7,09 | 4,13 | | UNF | 0,25 | 0,24 | 1,97 | 0,55 | 0,79 | lb | | |
| GE3 SAE16 | 25 | MPa | 42 | mm | 65 | 29,4 | 112 | 66,5 | 14 | 83,5 | 55 | 89 | 180 | 113 | 1 5/16 | 6,25 | 6 | 50 | 14 | 25 | kg | 2,421 | GE3EEE43011A000 | GE3EEE43044A000 |
| | | Psi | 6090 | inch | 2,56 | 1,16 | 4,41 | 2,62 | 0,55 | 3,29 | 2,17 | 3,50 | 7,09 | 4,45 | | UNF | 0,25 | 0,24 | 1,97 | 0,55 | 0,98 | lb | | |
| GE3 SAE20R | 25 | MPa | 35 | mm | 65 | 29,4 | 120 | 66,5 | 14 | 83,5 | 55 | 89 | 180 | 113 | 1 5/8 | 6,25 | 6 | 50 | 14 | 25 | kg | 2,601 | GE3EEE53011A000 | GE3EEE53044A000 |
| | | Psi | 5075 | inch | 2,56 | 1,16 | 4,72 | 2,62 | 0,55 | 3,29 | 2,17 | 3,50 | 7,09 | 4,45 | | UNF | 0,25 | 0,24 | 1,97 | 0,55 | 0,98 | lb | | |
| GE3 SAE24R | 25 | MPa | 35 | mm | 65 | 29,4 | 124 | 66,5 | 14 | 83,5 | 55 | 89 | 180 | 113 | 1 7/8 | 6,25 | 6 | 50 | 14 | 25 | kg | 2,756 | GE3EEE63011A000 | GE3EEE63044A000 |
| | | Psi | 5075 | inch | 2,56 | 1,16 | 4,88 | 2,62 | 0,55 | 3,29 | 2,17 | 3,50 | 7,09 | 4,45 | | UNF | 0,25 | 0,24 | 1,97 | 0,55 | 0,98 | lb | | |

Size only for carbon steel valves with fixing holes included.

FIXING HOLES INCLUDED

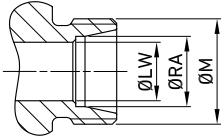


GE3 DIN 2353 HEAVY SERIES

| TYPE | DN | PN | A | B | C | D | E | F | G | G1 | H | I | ØM | ØK* | W* | X* | SW | ØLW | ØRA | WEIGHT | ITEM CODE | |
|---------|----|-----------------|-----------|------|------|------|------|-------|------|------|------|------|---------|------|------|------|------|------|------|----------|-----------------|-----------------|
| | | | | | | | | | | | | | | | | | | | | | CS | SS |
| GE3 8S | 6 | MPa 50 | mm 35 | 14,5 | 76 | 42,4 | 11 | 49 | 30 | 48,5 | 110 | 87 | M16x1,5 | 5,25 | 4,5 | 34 | 9 | 4 | 8 | kg 0,53 | GE3DDS04011A000 | GE3DDS04044A000 |
| | | Psi 7250 | inch 1,38 | 0,57 | 2,99 | 1,67 | 0,43 | 1,93 | 1,18 | 1,91 | 4,33 | 3,43 | | 0,21 | 0,18 | 1,34 | 0,35 | 0,16 | 0,31 | lb 1,17 | | |
| GE3 10S | 6 | MPa 50 | mm 35 | 14,5 | 76 | 42,4 | 11 | 49 | 30 | 48,5 | 110 | 87 | M18x1,5 | 5,25 | 4,5 | 34 | 9 | 6 | 10 | kg 0,532 | GE3DDS14011A000 | GE3DDS14044A000 |
| | | Psi 7250 | inch 1,38 | 0,57 | 2,99 | 1,67 | 0,43 | 1,93 | 1,18 | 1,91 | 4,33 | 3,43 | | 0,21 | 0,18 | 1,34 | 0,35 | 0,24 | 0,39 | lb 1,17 | | |
| GE3 12S | 8 | MPa 50 | mm 35 | 14,5 | 76 | 42,4 | 11 | 49 | 30 | 48,5 | 110 | 87 | M20x1,5 | 5,25 | 4,5 | 34 | 9 | 8 | 12 | kg 0,535 | GE3DDRS4011A000 | GE3DDRS4044A000 |
| | | Psi 7250 | inch 1,38 | 0,57 | 2,99 | 1,67 | 0,43 | 1,93 | 1,18 | 1,91 | 4,33 | 3,43 | | 0,21 | 0,18 | 1,34 | 0,35 | 0,31 | 0,47 | lb 1,18 | | |
| GE3 12S | 10 | MPa 50 | mm 40 | 17,4 | 76 | 44,4 | 11 | 54,25 | 35 | 54,5 | 110 | 93 | M20x1,5 | 5,25 | 4,5 | 34 | 9 | 10 | 12 | kg 0,633 | GE3DDS24011A000 | GE3DDS24044A000 |
| | | Psi 7250 | inch 1,57 | 0,69 | 2,99 | 1,75 | 0,43 | 2,14 | 1,38 | 2,15 | 4,33 | 3,66 | | 0,21 | 0,18 | 1,34 | 0,35 | 0,39 | 0,47 | lb 1,40 | | |
| GE3 14S | 10 | MPa 50 | mm 40 | 17,4 | 82,5 | 44,4 | 11 | 54,25 | 35 | 54,5 | 110 | 93 | M22x1,5 | 5,25 | 4,5 | 34 | 9 | 10 | 14 | kg 0,665 | GE3DDS34011A000 | GE3DDS34044A000 |
| | | Psi 7250 | inch 1,57 | 0,69 | 3,25 | 1,75 | 0,43 | 2,14 | 1,38 | 2,15 | 4,33 | 3,66 | | 0,21 | 0,18 | 1,34 | 0,35 | 0,39 | 0,55 | lb 1,47 | | |
| GE3 16S | 13 | MPa 50 | mm 43 | 19,7 | 89 | 48,4 | 11 | 57 | 37 | 59 | 110 | 97 | M24x1,5 | 5,25 | 5 | 36 | 9 | 13 | 16 | kg 0,722 | GE3DDS43011A000 | GE3DDS43044A000 |
| | | Psi 7250 | inch 1,69 | 0,78 | 3,50 | 1,91 | 0,43 | 2,24 | 1,46 | 2,32 | 4,33 | 3,82 | | 0,21 | 0,20 | 1,42 | 0,35 | 0,51 | 0,63 | lb 1,59 | | |
| GE3 20S | 13 | MPa 50 | mm 43 | 19,7 | 93 | 48,4 | 11 | 57 | 37 | 59 | 110 | 97 | M30x2 | 5,25 | 5 | 36 | 9 | 13 | 20 | kg 0,861 | GE3DDS53011A000 | GE3DDS53044A000 |
| | | Psi 7250 | inch 1,69 | 0,78 | 3,66 | 1,91 | 0,43 | 2,24 | 1,46 | 2,32 | 4,33 | 3,82 | | 0,21 | 0,20 | 1,42 | 0,35 | 0,51 | 0,79 | lb 1,90 | | |
| GE3 25S | 20 | MPa 35 40 | mm 57 | 25,4 | 111 | 62,5 | 14 | 75,5 | 49 | 75 | 180 | 105 | M36x2 | 6,25 | 6 | 50 | 14 | 20 | 25 | kg 1,639 | GE3DDS64011A000 | GE3DDS63044A000 |
| | | Psi 5075 5800 | inch 2,24 | 1,00 | 4,37 | 2,46 | 0,55 | 2,97 | 1,93 | 2,95 | 7,09 | 4,13 | | 0,25 | 0,24 | 1,97 | 0,55 | 0,79 | 0,98 | lb 3,61 | | |
| GE3 30S | 25 | MPa 35 | mm 65 | 29,5 | 121 | 66,5 | 14 | 83,5 | 55 | 89 | 180 | 113 | M42x2 | 6,25 | 6 | 50 | 14 | 25 | 30 | kg 2,361 | GE3DDS73011A000 | GE3DDS73044A000 |
| | | Psi 5075 | inch 2,56 | 1,16 | 4,76 | 2,62 | 0,55 | 3,29 | 2,17 | 3,50 | 7,09 | 4,45 | | 0,25 | 0,24 | 1,97 | 0,55 | 0,98 | 1,18 | lb 5,21 | | |
| GE3 38S | 25 | MPa 35 | mm 65 | 29,5 | 131 | 66,5 | 14 | 83,5 | 55 | 89 | 180 | 113 | M52x2 | 6,25 | 6 | 50 | 14 | 25 | 38 | kg 2,655 | GE3DDS83011A000 | GE3DDS83044A000 |
| | | Psi 5075 | inch 2,56 | 1,16 | 5,16 | 2,62 | 0,55 | 3,29 | 2,17 | 3,50 | 7,09 | 4,45 | | 0,25 | 0,24 | 1,97 | 0,55 | 0,98 | 1,50 | lb 5,85 | | |

Size only for carbon steel valves with fixing holes included.

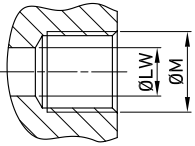
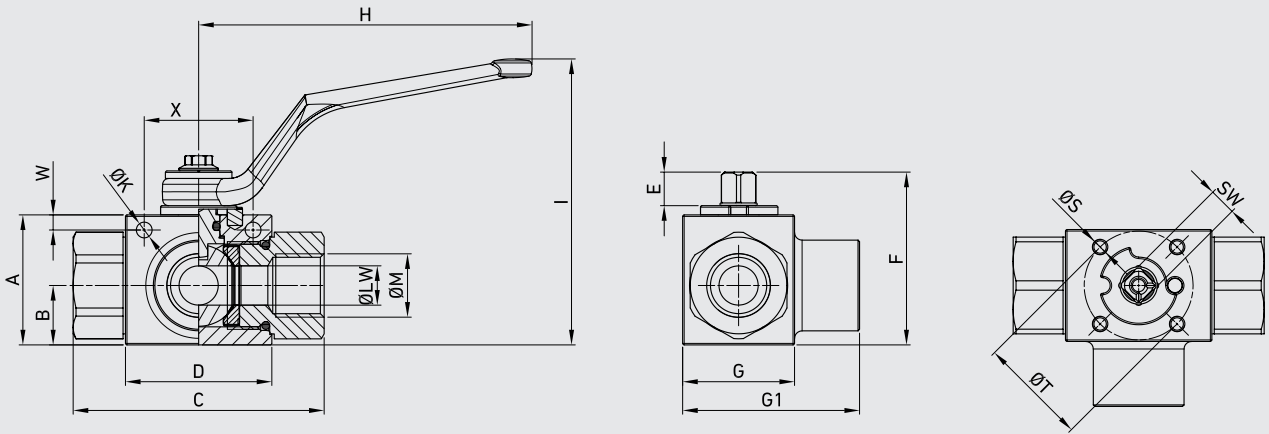
FIXING HOLES INCLUDED


GE3 DIN 2353 LIGHT SERIES

| TYPE | DN | PN | A | B | C | D | E | F | G | G1 | H | I | ØM | ØK* | W* | X* | SW | ØLW | ØRA | WEIGHT | CS | SS | |
|---------|----|---------------|--|---------|-------------------------------|----------|-----------------|-----------------|---|----|---|---|----|-----|----|----|----|-----|-----|--------|--------------|-----------------|--|
| | | | | | | | | | | | | | | | | | | | | | Carbon Steel | Stainless Steel | |
| | | | | | | | | | | | | | | | | | | | | | | ITEM CODE | |
| GE3 6L | 6 | MPa 50 | mm 35 14,5 76 42,4 11 49 30 48,5 110 87 | M12x1,5 | 5,25 4,5 34 9 6 6 | kg 0,53 | GE3DDL04011A000 | GE3DDL04044A000 | | | | | | | | | | | | | | | |
| | | Psi 7250 | inch 1,38 0,57 2,99 1,67 0,43 1,93 1,18 1,91 4,33 3,43 | | 0,21 0,18 1,34 0,35 0,24 0,24 | lb 1,17 | | | | | | | | | | | | | | | | | |
| GE3 8L | 6 | MPa 50 | mm 35 14,5 76 42,4 11 49 30 48,5 110 87 | M14x1,5 | 5,25 4,5 34 9 6 8 | kg 0,532 | GE3DDL14011A000 | GE3DDL14044A000 | | | | | | | | | | | | | | | |
| | | Psi 7250 | inch 1,38 0,57 2,99 1,67 0,43 1,93 1,18 1,91 4,33 3,43 | | 0,21 0,18 1,34 0,35 0,24 0,31 | lb 1,17 | | | | | | | | | | | | | | | | | |
| GE3 10L | 6 | MPa 50 | mm 35 14,5 76 42,4 11 49 30 48,5 110 87 | M16x1,5 | 5,25 4,5 34 9 6 10 | kg 0,535 | GE3DDR14011A000 | GE3DDR14044A000 | | | | | | | | | | | | | | | |
| | | Psi 7250 | inch 1,38 0,57 2,99 1,67 0,43 1,93 1,18 1,91 4,33 3,43 | | 0,21 0,18 1,34 0,35 0,24 0,39 | lb 1,18 | | | | | | | | | | | | | | | | | |
| GE3 10L | 10 | MPa 50 | mm 40 17,4 76,5 44,4 11 54,25 35 54,5 110 93 | M16x1,5 | 5,25 4,5 34 9 10 10 | kg 0,633 | GE3DDL24011A000 | GE3DDL24044A000 | | | | | | | | | | | | | | | |
| | | Psi 7250 | inch 1,57 0,69 3,01 1,75 0,43 2,14 1,38 2,15 4,33 3,66 | | 0,21 0,18 1,34 0,35 0,39 0,39 | lb 1,40 | | | | | | | | | | | | | | | | | |
| GE3 12L | 10 | MPa 50 | mm 40 17,4 79,5 44,4 11 54,25 35 54,5 110 93 | M18x1,5 | 5,25 4,5 34 9 10 12 | kg 0,665 | GE3DDL34011A000 | GE3DDL34044A000 | | | | | | | | | | | | | | | |
| | | Psi 7250 | inch 1,57 0,69 3,13 1,75 0,43 2,14 1,38 2,15 4,33 3,66 | | 0,21 0,18 1,34 0,35 0,39 0,47 | lb 1,47 | | | | | | | | | | | | | | | | | |
| GE3 15L | 13 | MPa 50 | mm 43 19,7 87 48,4 11 57 37 59 110 97 | M22x1,5 | 5,25 5 36 9 13 15 | kg 0,722 | GE3DDL43011A000 | GE3DDL43044A000 | | | | | | | | | | | | | | | |
| | | Psi 7250 | inch 1,69 0,78 3,43 1,91 0,43 2,24 1,46 2,32 4,33 3,82 | | 0,21 0,20 1,42 0,35 0,51 0,59 | lb 1,59 | | | | | | | | | | | | | | | | | |
| GE3 18L | 13 | MPa 50 | mm 43 19,7 87 48,4 11 57 37 59 110 97 | M26x1,5 | 5,25 5 36 9 13 18 | kg 0,861 | GE3DDL53011A000 | GE3DDL53044A000 | | | | | | | | | | | | | | | |
| | | Psi 7250 | inch 1,69 0,78 3,43 1,91 0,43 2,24 1,46 2,32 4,33 3,82 | | 0,21 0,20 1,42 0,35 0,51 0,71 | lb 1,90 | | | | | | | | | | | | | | | | | |
| GE3 22L | 20 | MPa 35 40 | mm 57 25,4 110 62,5 14 75,5 49 75 180 105 | M30x2 | 6,25 6 50 14 20 22 | kg 1,639 | GE3DDL64011A000 | GE3DDL63044A000 | | | | | | | | | | | | | | | |
| | | Psi 5075 5800 | inch 2,24 1,00 4,33 2,46 0,55 2,97 1,93 2,95 7,09 4,13 | | 0,25 0,24 1,97 0,55 0,79 0,87 | lb 3,61 | | | | | | | | | | | | | | | | | |
| GE3 28L | 25 | MPa 35 | mm 65 29,5 117 66,5 14 83,5 55 89 180 113 | M36x2 | 6,25 6 50 14 25 28 | kg 2,361 | GE3DDL73011A000 | GE3DDL73044A000 | | | | | | | | | | | | | | | |
| | | Psi 5075 | inch 2,56 1,16 4,61 2,62 0,55 3,29 2,17 3,50 7,09 4,45 | | 0,25 0,24 1,97 0,55 0,98 1,10 | lb 5,21 | | | | | | | | | | | | | | | | | |
| GE3 35L | 25 | MPa 35 | mm 65 29,5 119 66,5 14 83,5 55 89 180 113 | M45x2 | 6,25 6 50 14 25 35 | kg 2,361 | GE3DDL83011A000 | GE3DDL83044A000 | | | | | | | | | | | | | | | |
| | | Psi 5075 | inch 2,56 1,16 4,69 2,62 0,55 3,29 2,17 3,50 7,09 4,45 | | 0,25 0,24 1,97 0,55 0,98 1,38 | lb 5,21 | | | | | | | | | | | | | | | | | |

Size only for carbon steel valves with fixing holes included.

FIXING HOLES INCLUDED



GE3 DIN/ISO 228 BSP

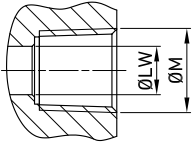
Assembling threads per ISO5211

CS Carbon Steel SS Stainless Steel

| TYPE | DN | PN | A | B | C | D | E | F | G | G1 | H | I | ØM | ØS | ØT | ØK* | W* | X* | ISO5211 | SW | ØLW | WEIGHT | ITEM CODE | |
|---------------|----|----------|-----------|------|------|------|------|-------|------|------|------|------|-----|----|------|------|------|------|---------|----|-----|----------|-----------------|-----------------|
| GE3 G 1/4 | 6 | MPa 50 | mm 35 | 14,5 | 71 | 42,4 | 11 | 49 | 30 | 48,5 | 110 | 87 | G | M4 | 35 | 5,25 | 4,5 | 34 | F03 | 9 | 6 | kg 0,536 | GE3GGT14011AF50 | GE3GGT14044AF50 |
| | | Psi 7250 | inch 1,38 | 0,57 | 2,80 | 1,67 | 0,43 | 1,93 | 1,18 | 1,91 | 4,33 | 3,43 | 1/4 | M4 | 1,38 | 0,21 | 0,18 | 1,34 | | | | 0,35 | | |
| GE3 G 3/8 | 10 | MPa 50 | mm 40 | 17,4 | 73 | 44,4 | 11 | 54,25 | 35 | 54,5 | 110 | 93 | G | M5 | 36 | 5,25 | 4,5 | 34 | F03 | 9 | 10 | kg 0,695 | GE3GGT24011AF50 | GE3GGT24044AF50 |
| | | Psi 7250 | inch 1,57 | 0,69 | 2,87 | 1,75 | 0,43 | 2,14 | 1,38 | 2,15 | 4,33 | 3,66 | 3/8 | M5 | 1,42 | 0,21 | 0,18 | 1,34 | | | | 0,35 | | |
| GE3 G 1/2 | 13 | MPa 50 | mm 43 | 19,7 | 83 | 48,4 | 11 | 57 | 37 | 58,5 | 110 | 97 | G | M5 | 36 | 5,25 | 5 | 36 | F03 | 9 | 13 | kg 0,825 | GE3GGT33011AF50 | GE3GGT33044AF50 |
| | | Psi 7250 | inch 1,69 | 0,78 | 3,27 | 1,91 | 0,43 | 2,24 | 1,46 | 2,30 | 4,33 | 3,82 | 1/2 | M5 | 1,42 | 0,21 | 0,20 | 1,42 | | | | 0,35 | | |
| GE3 G 3/4 | 20 | MPa 42 | mm 57 | 25,4 | 95 | 62,5 | 14 | 75,5 | 49 | 75 | 180 | 105 | G | M6 | 50 | 6,25 | 6 | 50 | F05 | 14 | 20 | kg 1,583 | GE3GGT44011AF50 | GE3GGT43044AF50 |
| | | Psi 6090 | inch 2,24 | 1,00 | 3,74 | 2,46 | 0,55 | 2,97 | 1,93 | 2,95 | 7,09 | 4,13 | 3/4 | M6 | 1,97 | 0,25 | 0,24 | 1,97 | | | | 0,55 | | |
| GE3 G 1 | 25 | MPa 42 | mm 65 | 29,5 | 112 | 66,5 | 14 | 83,5 | 55 | 89 | 180 | 113 | G1 | M6 | 50 | 6,25 | 6 | 50 | F05 | 14 | 25 | kg 2,421 | GE3GGT53011AF50 | GE3GGT53044AF50 |
| | | Psi 6090 | inch 2,56 | 1,16 | 4,41 | 2,62 | 0,55 | 3,29 | 2,17 | 3,50 | 7,09 | 4,45 | G1 | M6 | 1,97 | 0,25 | 0,24 | 1,97 | | | | 0,55 | | |
| GE3 G 1 1/4 R | 25 | MPa 35 | mm 65 | 29,5 | 120 | 66,5 | 14 | 83,5 | 55 | 89 | 180 | 113 | G1 | M6 | 50 | 6,25 | 6 | 50 | F05 | 14 | 25 | kg 2,601 | GE3GGR63011AF50 | GE3GGR63044AF50 |
| | | Psi 5075 | inch 2,56 | 1,16 | 4,72 | 2,62 | 0,55 | 3,29 | 2,17 | 3,50 | 7,09 | 4,45 | 1/4 | M6 | 1,97 | 0,25 | 0,24 | 1,97 | | | | 0,55 | | |
| GE3 G 1 1/2 R | 25 | MPa 35 | mm 65 | 29,5 | 124 | 66,5 | 14 | 83,5 | 55 | 89 | 180 | 113 | G1 | M6 | 50 | 6,25 | 6 | 50 | F05 | 14 | 25 | kg 2,756 | GE3GGR73011AF50 | GE3GGR73044AF50 |
| | | Psi 5075 | inch 2,56 | 1,16 | 4,88 | 2,62 | 0,55 | 3,29 | 2,17 | 3,50 | 7,09 | 4,45 | 1/2 | M6 | 1,97 | 0,25 | 0,24 | 1,97 | | | | 0,55 | | |

Size only for carbon steel valves with fixing holes included.

FIXING HOLES INCLUDED



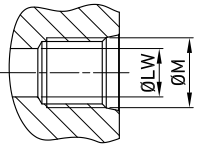
GE3 ANSI/ASME B1.20.1 NPT

Assembling threads per ISO5211

| TYPE | DN | PN | A | B | C | D | E | F | G | G1 | H | I | ØM | ØS | ØT | ØK* | W* | X* | ISO5211 | SW | ØLW | WEIGHT | CS | SS |
|-------------|----|----------|-----------|------|------|------|------|------|------|------|------|------|-----|----|------|------|------|------|---------|------|------|----------|------------------|-----------------|
| | | | | | | | | | | | | | | | | | | | | | | | Carbon Steel | Stainless Steel |
| | | | | | | | | | | | | | | | | | | | | | | | ITEM CODE | |
| GE3 N 1/4 | 6 | MPa 50 | mm 35 | 14,5 | 71 | 42,4 | 11 | 49 | 30 | 48,5 | 110 | 87 | N | M4 | 35 | 5,25 | 4,5 | 34 | F03 | 9 | 6 | kg 0,536 | GE3NNT14011AF50 | GE3NNT14044AF50 |
| | | Psi 7250 | inch 1,38 | 0,57 | 2,80 | 1,67 | 0,43 | 1,93 | 1,18 | 1,91 | 4,33 | 3,43 | 1/4 | M4 | 1,38 | 0,21 | 0,18 | 1,34 | F03 | 0,35 | 0,24 | lb 1,18 | | |
| GE3 N 3/8 | 10 | MPa 50 | mm 40 | 17,4 | 73 | 44,4 | 11 | 54,3 | 35 | 54,5 | 110 | 93 | N | M5 | 36 | 5,25 | 4,5 | 34 | F03 | 9 | 10 | kg 0,695 | GE3NNT24011AF50 | GE3NNT24044AF50 |
| | | Psi 7250 | inch 1,57 | 0,69 | 2,87 | 1,75 | 0,43 | 2,14 | 1,38 | 2,15 | 4,33 | 3,66 | 3/8 | M5 | 1,42 | 0,21 | 0,18 | 1,34 | F03 | 0,35 | 0,39 | lb 1,53 | | |
| GE3 N 1/2 | 13 | MPa 50 | mm 43 | 19,7 | 83 | 48,4 | 11 | 57 | 37 | 58,5 | 110 | 97 | N | M5 | 36 | 5,25 | 5 | 36 | F03 | 9 | 13 | kg 0,825 | GE3NNT33011AF50 | GE3NNT33044AF50 |
| | | Psi 7250 | inch 1,69 | 0,78 | 3,27 | 1,91 | 0,43 | 2,24 | 1,46 | 2,30 | 4,33 | 3,82 | 1/2 | M5 | 1,42 | 0,21 | 0,20 | 1,42 | F03 | 0,35 | 0,51 | lb 1,82 | | |
| GE3 N 3/4 | 20 | MPa 42 | mm 57 | 25,4 | 95 | 62,5 | 14 | 75,5 | 49 | 75 | 180 | 105 | N | M6 | 50 | 6,25 | 6 | 50 | F05 | 14 | 20 | kg 1,583 | GE3NNT 44011AF50 | GE3NNT43044AF50 |
| | | Psi 6090 | inch 2,24 | 1,00 | 3,74 | 2,46 | 0,55 | 2,97 | 1,93 | 2,95 | 7,09 | 4,13 | 3/4 | M6 | 1,97 | 0,25 | 0,24 | 1,97 | F05 | 0,55 | 0,79 | lb 3,49 | | |
| GE3 N 1 | 25 | MPa 42 | mm 65 | 29,5 | 112 | 66,5 | 14 | 83,5 | 55 | 89 | 180 | 113 | N | M6 | 50 | 6,25 | 6 | 50 | F05 | 14 | 25 | kg 2,421 | GE3NNT53011AF50 | GE3NNT53044AF50 |
| | | Psi 6090 | inch 2,56 | 1,16 | 4,41 | 2,62 | 0,55 | 3,29 | 2,17 | 3,50 | 7,09 | 4,45 | 1 | M6 | 1,97 | 0,25 | 0,24 | 1,97 | F05 | 0,55 | 0,98 | lb 5,34 | | |
| GE3 N 1/4 R | 25 | MPa 35 | mm 65 | 29,5 | 120 | 66,5 | 14 | 83,5 | 55 | 89 | 180 | 113 | N 1 | M6 | 50 | 6,25 | 6 | 50 | F05 | 14 | 25 | kg 2,601 | GE3NNR63011AF50 | GE3NNR63044AF50 |
| | | Psi 5075 | inch 2,56 | 1,16 | 4,72 | 2,62 | 0,55 | 3,29 | 2,17 | 3,50 | 7,09 | 4,45 | 1/4 | M6 | 1,97 | 0,25 | 0,24 | 1,97 | F05 | 0,55 | 0,98 | lb 5,73 | | |
| GE3 N 1/2 R | 25 | MPa 35 | mm 65 | 29,5 | 124 | 66,5 | 14 | 83,5 | 55 | 89 | 180 | 113 | N 1 | M6 | 50 | 6,25 | 6 | 50 | F05 | 14 | 25 | kg 2,756 | GE3NNR73011AF50 | GE3NNR73044AF50 |
| | | Psi 5075 | inch 2,56 | 1,16 | 4,88 | 2,62 | 0,55 | 3,29 | 2,17 | 3,50 | 7,09 | 4,45 | 1/2 | M6 | 1,97 | 0,25 | 0,24 | 1,97 | F05 | 0,55 | 0,98 | lb 6,08 | | |

Size only for carbon steel valves with fixing holes included.

FIXING HOLES INCLUDED



GE3 SAE J1926-1

Assembling threads per ISO5211

| TYPE | DN | PN | A | B | C | D | E | F | G | G1 | H | I | ØM | ØS | ØT | ØK* | W* | X* | ISO5211 | SW | ØLW | WEIGHT | CS | SS |
|------------|----|----------|-----------|------|------|------|------|------|------|------|------|------|--------|----|------|------|------|------|---------|------|------|----------|-----------------|-----------------|
| | | | | | | | | | | | | | | | | | | | | | | | Carbon Steel | Stainless Steel |
| | | | | | | | | | | | | | | | | | | | | | | | ITEM CODE | |
| GE3 SAE4 | 6 | MPa 50 | mm 35 | 14,5 | 71 | 42,4 | 11 | 49 | 30 | 48,5 | 110 | 87 | 7/16 | M4 | 35 | 5,25 | 4,5 | 34 | F03 | 9 | 6 | kg 0,512 | GE3EEE04011AF50 | GE3EEE04044AF50 |
| | | Psi 7250 | inch 1,38 | 0,57 | 2,80 | 1,67 | 0,43 | 1,93 | 1,18 | 1,91 | 4,33 | 3,43 | UNF | M4 | 1,38 | 0,21 | 0,18 | 1,34 | F03 | 0,35 | 0,24 | lb 1,13 | | |
| GE3 SAE6 | 10 | MPa 50 | mm 40 | 17,5 | 73 | 44,8 | 11 | 54,3 | 35 | 54,5 | 110 | 93 | 9/16 | M4 | 35 | 5,25 | 4,5 | 34 | F03 | 9 | 10 | kg 0,695 | GE3EEE14011AF50 | GE3EEE14044AF50 |
| | | Psi 7250 | inch 1,57 | 0,69 | 2,87 | 1,76 | 0,43 | 2,14 | 1,38 | 2,15 | 4,33 | 3,66 | UNF | M4 | 1,38 | 0,21 | 0,18 | 1,34 | F03 | 0,35 | 0,39 | lb 1,53 | | |
| GE3 SAE8 | 13 | MPa 50 | mm 43 | 19,7 | 83 | 48,4 | 11 | 57 | 37 | 58,5 | 110 | 97 | 3/4 | M5 | 36 | 5,25 | 5 | 36 | F03 | 9 | 13 | kg 0,825 | GE3EEE23011AF50 | GE3EEE23044AF50 |
| | | Psi 7250 | inch 1,69 | 0,78 | 3,27 | 1,91 | 0,43 | 2,24 | 1,46 | 2,30 | 4,33 | 3,82 | UNF | M5 | 1,42 | 0,21 | 0,20 | 1,42 | F03 | 0,35 | 0,51 | lb 1,82 | | |
| GE3 SAE12 | 20 | MPa 42 | mm 57 | 25,4 | 95 | 62,5 | 14 | 75,5 | 49 | 75 | 180 | 105 | 1 1/16 | M5 | 36 | 6,25 | 6 | 50 | F03 | 14 | 20 | kg 1,583 | GE3EEE34011AF50 | GE3EEE34044AF50 |
| | | Psi 6090 | inch 2,24 | 1,00 | 3,74 | 2,46 | 0,55 | 2,97 | 1,93 | 2,95 | 7,09 | 4,13 | UNF | M5 | 1,42 | 0,25 | 0,24 | 1,97 | F03 | 0,55 | 0,79 | lb 3,49 | | |
| GE3 SAE16 | 25 | MPa 42 | mm 65 | 29,4 | 112 | 66,5 | 14 | 83,5 | 55 | 89 | 180 | 113 | 1 5/16 | M6 | 50 | 6,25 | 6 | 50 | F05 | 14 | 25 | kg 2,421 | GE3EEE43011AF50 | GE3EEE43044AF50 |
| | | Psi 6090 | inch 2,56 | 1,16 | 4,41 | 2,62 | 0,55 | 3,29 | 2,17 | 3,50 | 7,09 | 4,45 | UNF | M6 | 1,97 | 0,25 | 0,24 | 1,97 | F05 | 0,55 | 0,98 | lb 5,34 | | |
| GE3 SAE20R | 25 | MPa 35 | mm 65 | 29,4 | 120 | 66,5 | 14 | 83,5 | 55 | 89 | 180 | 113 | 1 5/8 | M6 | 50 | 6,25 | 6 | 50 | F05 | 14 | 25 | kg 2,601 | GE3EEE53011AF50 | GE3EEE53044AF50 |
| | | Psi 5075 | inch 2,56 | 1,16 | 4,72 | 2,62 | 0,55 | 3,29 | 2,17 | 3,50 | 7,09 | 4,45 | UNF | M6 | 1,97 | 0,25 | 0,24 | 1,97 | F05 | 0,55 | 0,98 | lb 5,73 | | |
| GE3 SAE24R | 25 | MPa 35 | mm 65 | 29,4 | 124 | 66,5 | 14 | 83,5 | 55 | 89 | 180 | 113 | 1 7/8 | M6 | 50 | 6,25 | 6 | 50 | F05 | 14 | 25 | kg 2,756 | GE3EEE63011AF50 | GE3EEE63044AF50 |
| | | Psi 5075 | inch 2,56 | 1,16 | 4,88 | 2,62 | 0,55 | 3,29 | 2,17 | 3,50 | 7,09 | 4,45 | UNF | M6 | 1,97 | 0,25 | 0,24 | 1,97 | F05 | 0,55 | 0,98 | lb 6,08 | | |

Size only for carbon steel valves with fixing holes included.

FIXING HOLES INCLUDED